

kti triple i intelligence • industrial • internet

EPF Precision Torque Transducer Fastening Tools



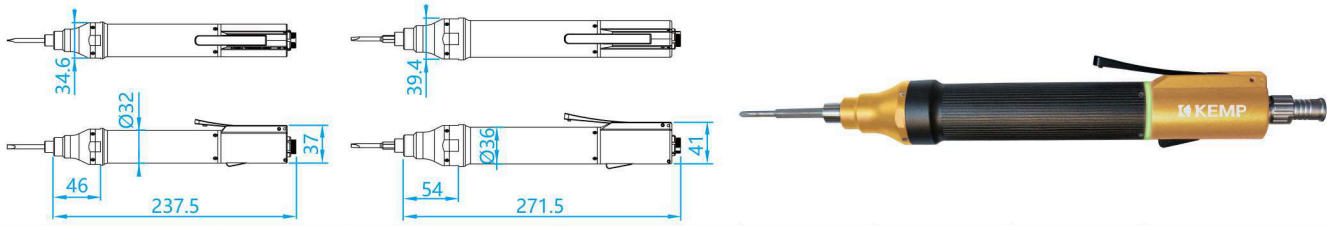
EPF Precision Torque Transducer Fastening Tools

EPF Series intelligence transducer fastening tools with the goal of meeting the market's high-precision demand and the purpose of creating value, we provide customers with comprehensive professional solutions related to the precision assembly industry, including technical consultation, product customization and development , scheme design and implementation, and product after-sales service.

Features & benefits:

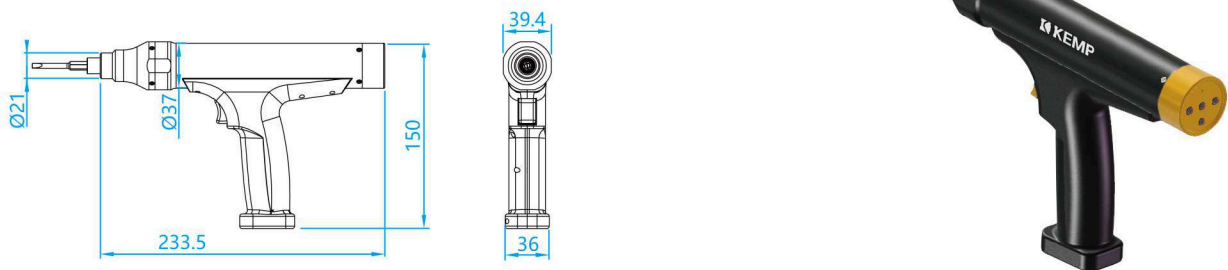
- EPF Series torque range 0.05~12Nm.
- Available in hand held straight, pistol ,angle and fixture Mount configuration.
- True torque and pressure detection with built-in Composite force transducer .
- Torque, angle, torque or angle, torque and angle tightening strategies during whole tightening process.
- Provides torque control with excellent repeatability. CPK>1.67
- Maintenance free thanks to brushless motor.
- Low noise design under 70dB.

Inline EPF Transducer Screwdriver



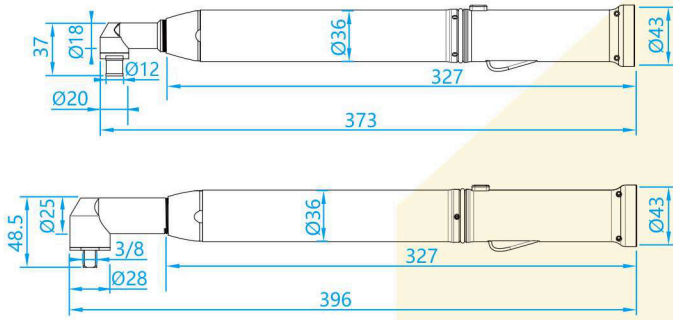
Model	Drive Size	Torque Range		Free Speed rpm	Length mm	Diameter mm	Weight kg	Item No.
		kgf.cm	Nm					
EPF-YS04	Ø4mm	0.51~4.08	0.05~0.4	1800	238	32	0.305	330 80 101
EPF-YS06	Ø4mm	1.02~6.12	0.1~0.6	1200	238	32	0.305	330 80 102
EPF-YS10	Ø4mm	2.04~10.2	0.2~1.0	600	238	32	0.305	330 80 103
EPF-YS23	1/4(Hex.)	3.06~23.46	0.3~2.3	1000	272	36	0.61	330 80 104
EPF-YS40	1/4(Hex.)	5.10~40.80	0.5~4.0	900	272	36	0.61	330 80 105
EPF-YS55	1/4(Hex.)	10.2~56.1	1.0~5.5	600	272	36	0.62	330 80 111
EPF-YS70	1/4(Hex.)	10.2~71.4	1.0~7.0	500	272	36	0.61	330 80 107
EPF-YS100	1/4(Hex.)	30.6~102.0	3.0~10.0	300	272	36	0.635	330 80 109
EPF-YS120	1/4(Hex.)	30.6~122.4	3.0~12.0	550	292	36	0.75	330 80 110

Pistol Grip EPF Transducer Screwdriver



Model	Drive Size	Torque Range		Free Speed rpm	Length mm	Diameter mm	Weight kg	Item No.
		kgf.cm	Nm					
EPF-YP04	Ø4mm	0.51~4.08	0.05~0.4	1800	234	150	0.625	330 80 201
EPF-YP06	Ø4mm	1.02~6.12	0.1~0.6	1200	234	150	0.625	330 80 202
EPF-YP10	Ø4mm	2.04~10.2	0.2~1.0	600	234	150	0.625	330 80 203
EPF-YP23	1/4(Hex.)	3.06~23.46	0.3~2.3	1000	234	150	0.825	330 80 204
EPF-YP40	1/4(Hex.)	5.1~40.8	0.5~4.0	900	234	150	0.825	330 80 205
EPF-YP55	1/4(Hex.)	10.2~56.1	1.0~5.5	600	234	150	0.83	330 80 211
EPF-YP70	1/4(Hex.)	10.2~71.4	1.0~7.0	500	234	150	0.825	330 80 207
EPF-YP100	1/4(Hex.)	30.6~102	3.0~10.0	300	234	150	0.83	330 80 209
EPF-YP120	1/4(Hex.)	30.6~122.4	3.0~12.0	550	234	150	0.93	330 80 210

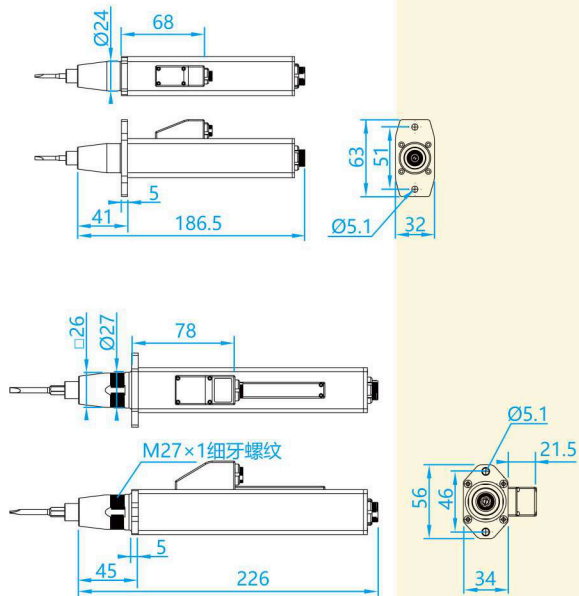
Angle Head EPF Transducer Screwdriver



unit: mm

Model	Drive Size	Torque Range		Free Speed rpm	Length mm	Diameter mm	Weight kg	Item No.
		kgf.cm	Nm					
EPF-YS55A	1/4(Hex.)	10.2~56.1	1.0~5.5	600	374	36	0.85	330 80 311
EPF-YS70A	3/8(Sq.)	10.2~71.4	1.0~7.0	500	396	36	0.99	330 80 307
EPF-YS100A	3/8(Sq.)	30.6~102.0	3.0~10.0	300	396	36	0.99	330 80 309
EPF-YS120A	3/8(Sq.)	30.6~122.4	3.0~12.0	550	396	36	1.05	330 80 310
EPF-YS150A	3/8(Sq.)	51.0~153.0	5.0~15.0	220	396	36	0.99	330 80 313
EPF-YS200A	3/8(Sq.)	51.0~204.0	5.0~20.0	280	400	36	1.2	330 80 314

Fixture Mount EPF Transducer Screwdriver



unit: mm

Model	Drive Size	Torque Range		Free Speed rpm	Length mm	Weight kg	Item No.
		kgf.cm	Nm				
EPF-YF04	Ø4mm	0.51~4.08	0.05~0.4	1800	187	0.27	330 80 401
EPF-YF06	Ø4mm	1.02~6.12	0.1~0.6	1200	187	0.27	330 80 402
EPF-YF10	Ø4mm	2.04~10.2	0.2~1.0	600	187	0.27	330 80 403
EPF-YF23	1/4(Hex.)	3.06~23.45	0.3~2.3	1000	226	0.64	330 80 404
EPF-YF40	1/4(Hex.)	5.1~40.8	0.5~4.0	900	226	0.64	330 80 405
EPF-YF55	1/4(Hex.)	10.2~56.1	1.0~5.5	600	226	0.65	330 80 411
EPF-YF70	1/4(Hex.)	10.2~71.4	1.0~7.0	500	226	0.64	330 80 407
EPF-YF100	1/4(Hex.)	30.6~102	3.0~10.0	300	226	0.65	330 80 409
EPF-YF120	1/4(Hex.)	30.6~122.4	3.0~12.0	550	226	0.75	330 80 410
EPF-YF150	1/4(Hex.)	51.0~153.0	5.0~15.0	220	226	0.65	330 80 413

EPF-YC Controllers

EPF-YC with advanced error proofing tightening strategies and complete workflows, high-quality, high-precision result control, brings an automated, stable and flexible production process. KEMP Smart Driver delivers the data and information you need to make correct decisions. Or integrate via specified protocol with PLC and MES system and make the information available where and when needed.

Features & benefits:

- Multi-level user management, user-defined user permissions.
- Quick PSet (>32 PSet), quick switching.
- 5 step tightening setting, outstanding process control.
- Real-time drawing and storage of tightening curve and data storage.
- Multi-level task chain setting, counting and error proofing.
- Support barcode reader and tri-color warning light, access with customizable functions.
- Data interaction with any MES system.

EPF Controllers Function	Basic unit EPF-YC1	Advanced unit EPF-YC2	Integrated Workstation EPF-YC3W
Color touchscreen		7 inch	12 inch
Number steps per PSet	5	5	5
Number of PSet	32	32	32
Torque curve		o	o
Barcode reading		o	o
Torque and angle control	o	o	o
Detailed Data Results	o	o	o
Results – Data Storage	1 million	1 million	15 million
Graphs – Data Storage		1000	1 million
IO output	8	8	8
IO input	8	8	8
RS232/RS485	1	1	1
USB ports			2
Modbus TCP/IP	o	o	o
Open Protocol	o	o	
Ethernet	o	o	o

O : Build in function



EPF Controllers Basic unit

Model	Item No.
EPF-YC1	335 80 100



EPF Controllers Advanced unit

Model	Item No.
EPF-YC2	335 80 200



EPF Controllers Integrated Workstation

Model	Item No.
EPF-YC3W	335 80 300

Cable



Model Name	Item No.
Cable SH-3m	935 80 103
Cable SH-5m	935 80 105

Model Name	Item No.
Cable AT-3m	935 80 113
Cable AT-5m	935 80 115